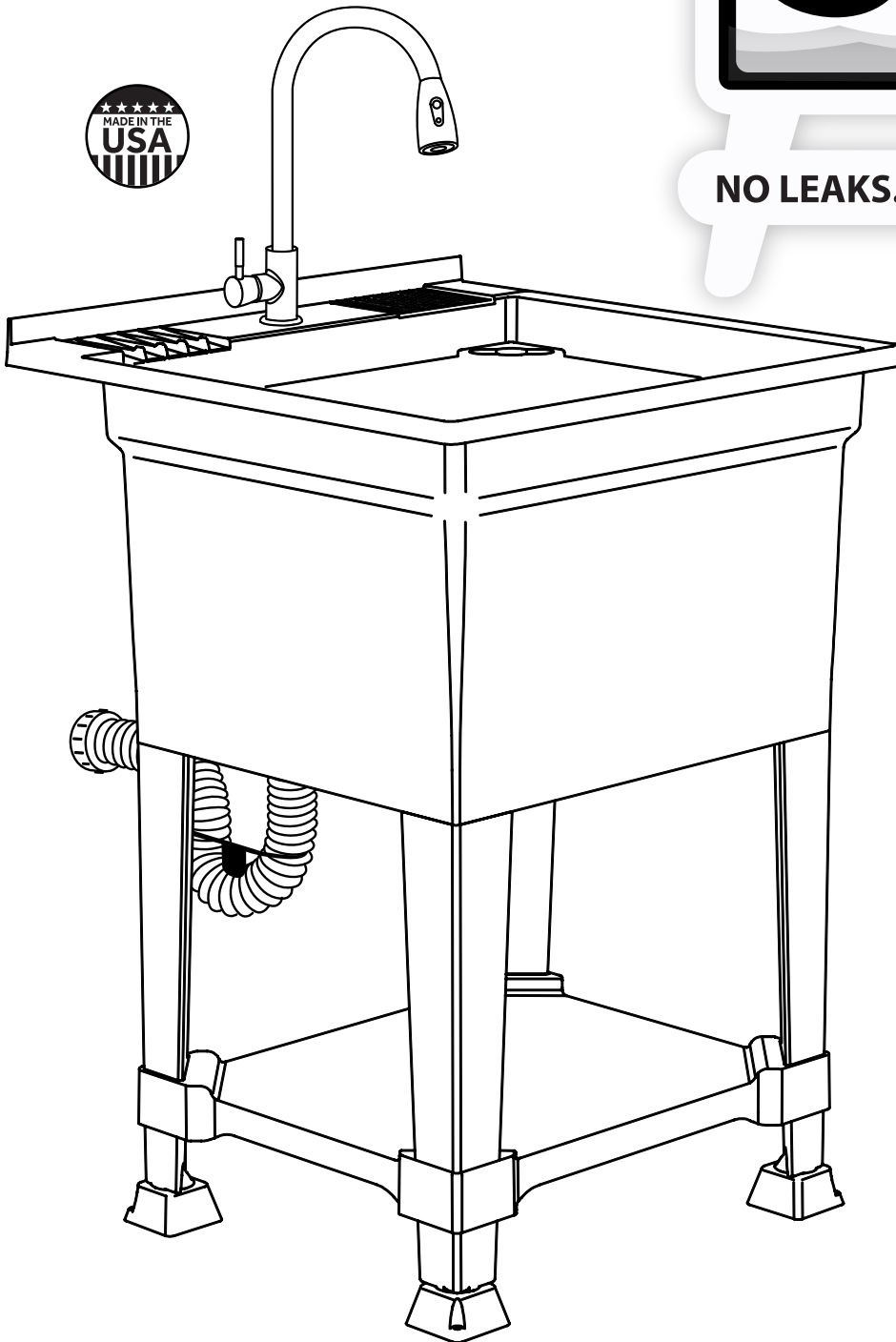




**NO LEAKS. NO CLOGS. NO HASSLE.**



## **LAUNDRY TUB WITH FAUCET AND DRAIN KIT INSTRUCTIONS**

Questions, problems, missing parts? Before returning to your retailer, call our customer service department at 1-000-000-0000, 8 a.m. - 8 p.m., EST, Monday - Sunday. You could also contact us at [info@simplesink.com](mailto:info@simplesink.com) or visit [simplesink.com](http://simplesink.com).

**SERIAL NUMBER:**

**PURCHASE DATE:**

# LAUNDRY TUB FAUCET & DRAIN KIT

## TABLE OF CONTENTS

Laundry Tub Kit.....	1
Faucet and Drain Kit.....	2
Safety Information.....	2
Laundry Sink Assembly.....	3-4
Faucet Installation.....	5-6
Drain Installation.....	5-6
Utility hook ups.....	7-8
Care and Maintenance.....	9
Warranty.....	9

## SINK

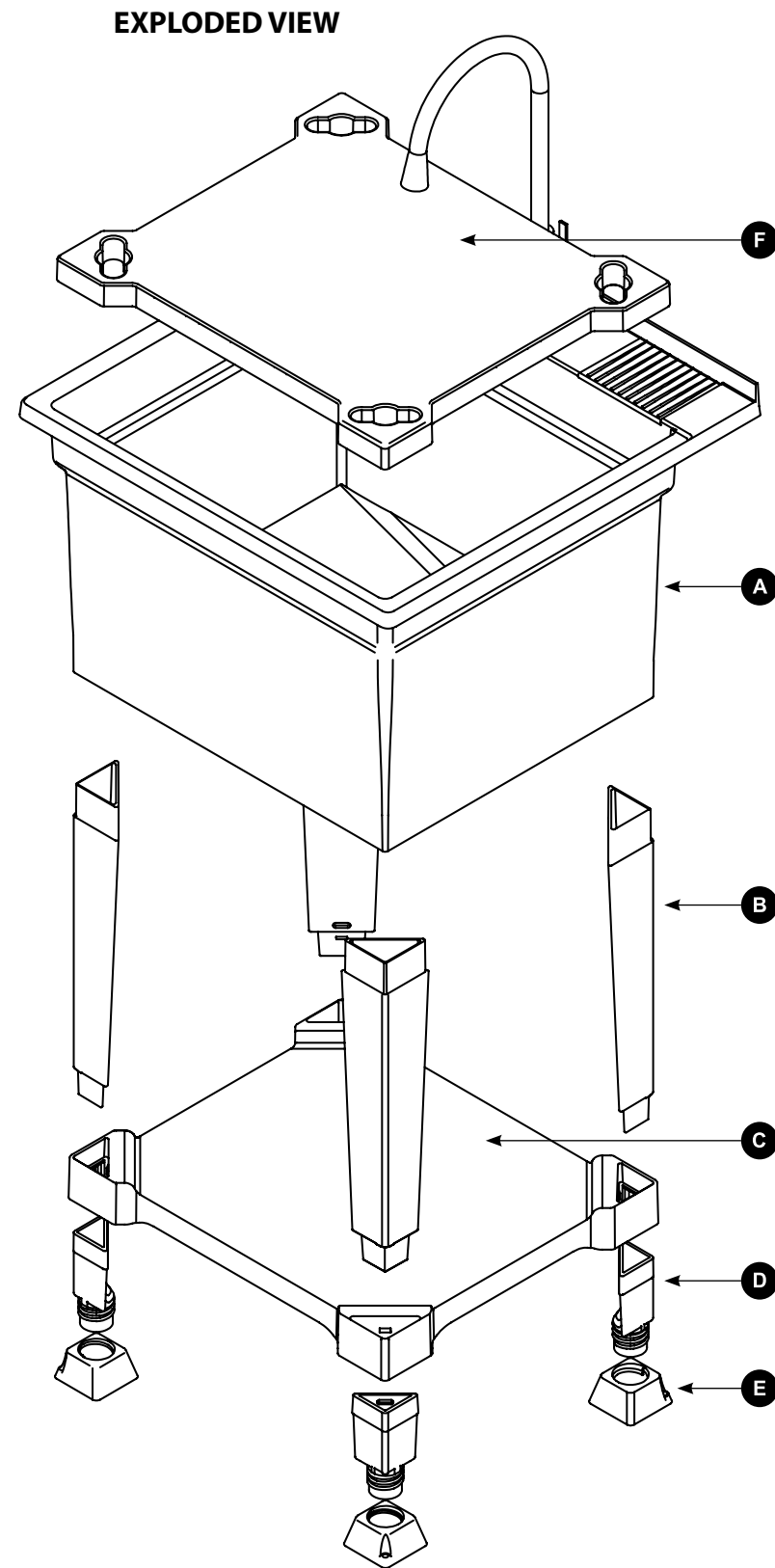
PART	DESCRIPTION	QTY
A	SINK BASIN	1
B	UPPER LEGS	4
C	BASE TRAY	1
D	LOWER LEGS	4
E	SINK FEET	4
F	UPPER TRAY	1

## FAUCET (BAGGED)

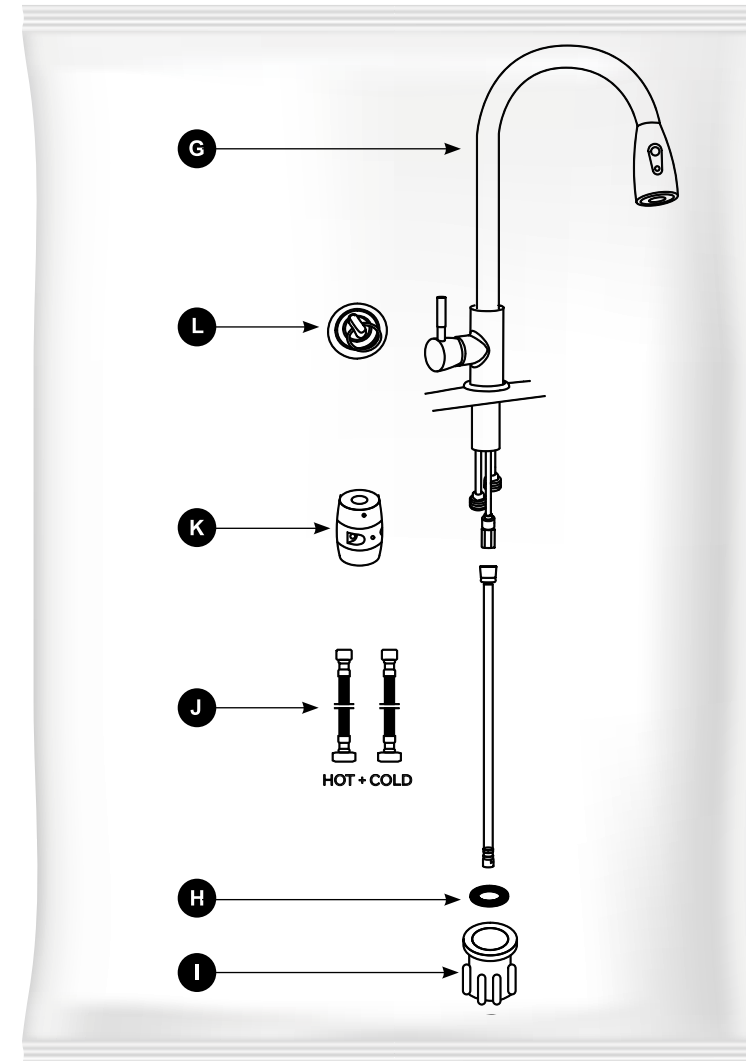
PART	DESCRIPTION	QTY
G	FAUCET BODY	1
H	GASKET	1
I	LOCKNUT	1
J	SUPPLY LINE	2
K	COUNTERWEIGHT	1
L	SINK STOPPER	1

## DRAIN (BAGGED)

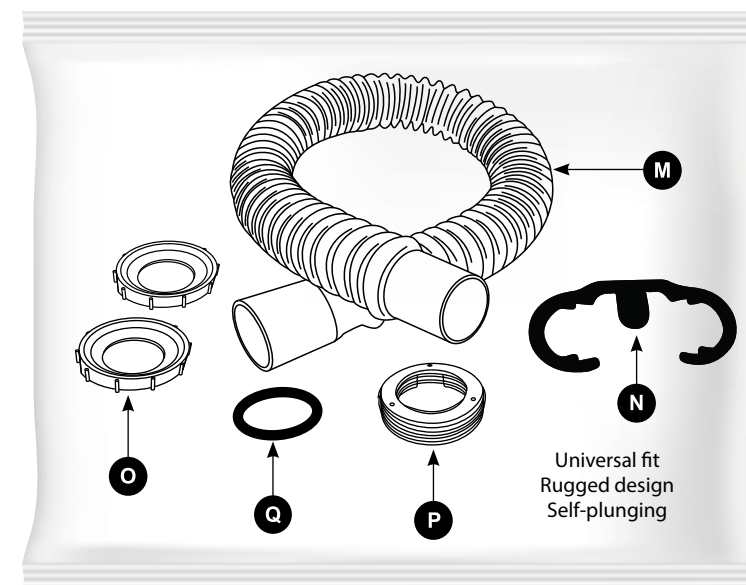
PART	DESCRIPTION	QTY
M	DRAIN TUBE	1
N	TRAP LOOP W/DEPTH TAB	1
O	THREADED ADAPTER	2
P	1.25" REDUCER (OPTIONAL)	1
Q	1.25" WASHER (OPTIONAL)	1



## FAUCET KIT (BAGGED)



## DRAIN KIT (BAGGED)



## SAFETY INFORMATION

Please read and understand this entire manual before attempting to assemble, operate or install this product. Failure to do so may result in personal injury and/or damage.

### WARNING

- Understand that the warnings and cautions discussed in this guide cannot cover every possible situation that may occur. Be aware of surroundings and only use this product in a safe and responsible way.
- Do not modify this product in any way.
- Never use this product with damaged parts.
- Observe all applicable building codes and standards.
- Shut off the main water supply before installation.
- Never overload this product.
- Total weight capacity is 160 lbs.

### CAUTION

- Protect the entire surface during installation.
- Consult a licensed plumber if in doubt of any assembly or installation steps.

### PREPARATION (DO NOT RETURN)

Before beginning assembly of product, make sure all parts are present. Compare parts with package content list. If any part is missing or damaged, do not attempt to assemble the product.

If you are missing any parts, need assistance with assembly or have any questions, please contact Customer Service: 1-866-389-8827, 8 a.m. - 8 p.m., EST, Monday - Sunday. You could also contact us at [partsplus@lowes.com](mailto:partsplus@lowes.com) or visit [www.lowespartsplus.com](http://www.lowespartsplus.com).

### Estimated Assembly Time: 20 minutes

Tools required for assembly (not included):  
Pipe wrench, Phillips screwdriver, scissors

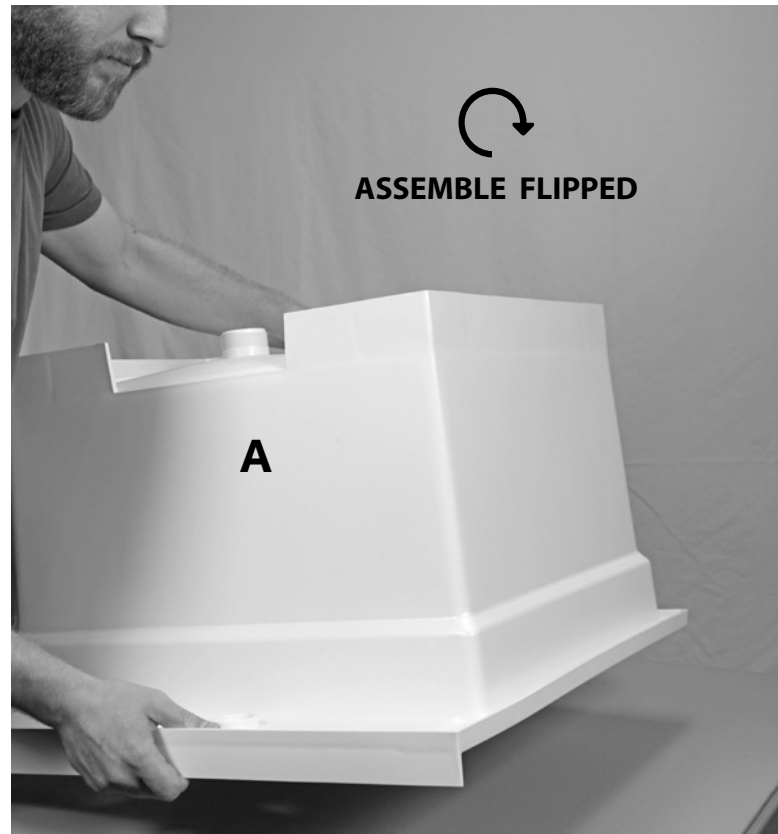
Helpful tools (not included):  
Pliers and power drill with bit

# LAUNDRY TUB SINK ASSEMBLY

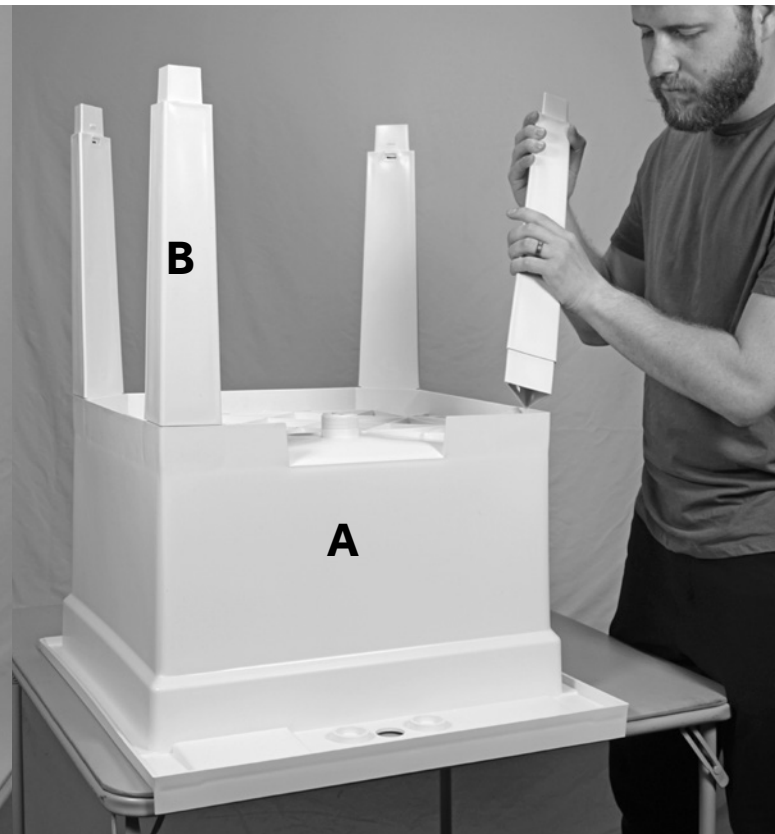
BEFORE YOU BEGIN, we recommend using a sturdy folding table, dining table, or countertop covered with a protective towel or blanket as your workspace. The floor works well, but who wants to work all the way down there?

With superior construction that assembles with ease, your new Simple Sink® laundry tub will be up and ready for a lifetime of service in less than 30 minutes. Just follow the step-by-step instructions with detailed illustrations.

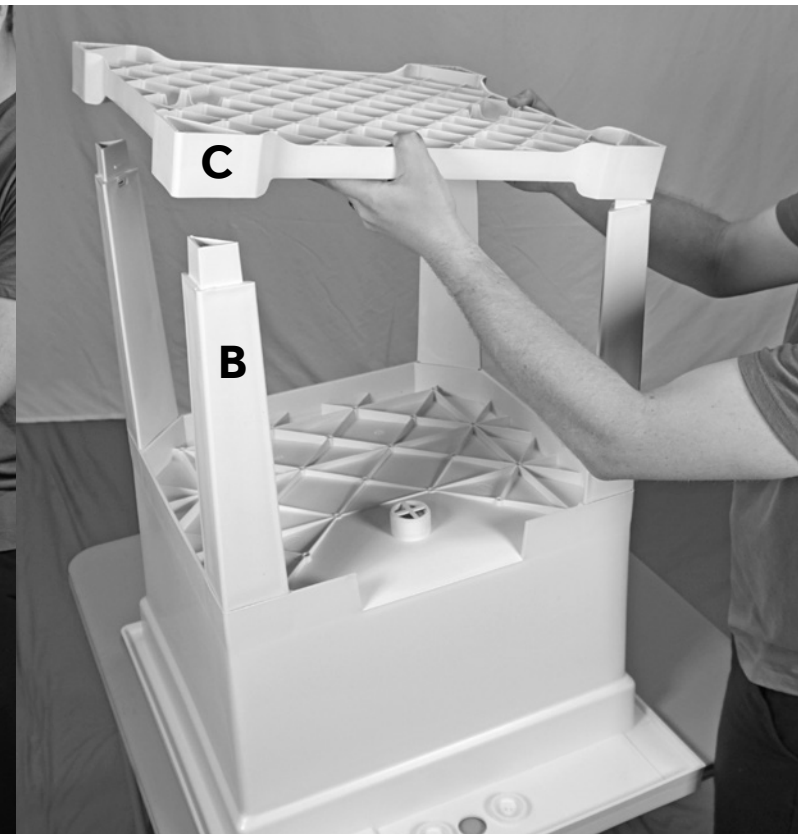
NEED HELP? If you have any questions, problems, or missing parts, please call our customer service department at 1-000-000-0000, 8 a.m. - 8 p.m., EST, Monday - Sunday. You could also contact us at [info@simplesink.com](mailto:info@simplesink.com) or visit [simplesink.com](http://simplesink.com).



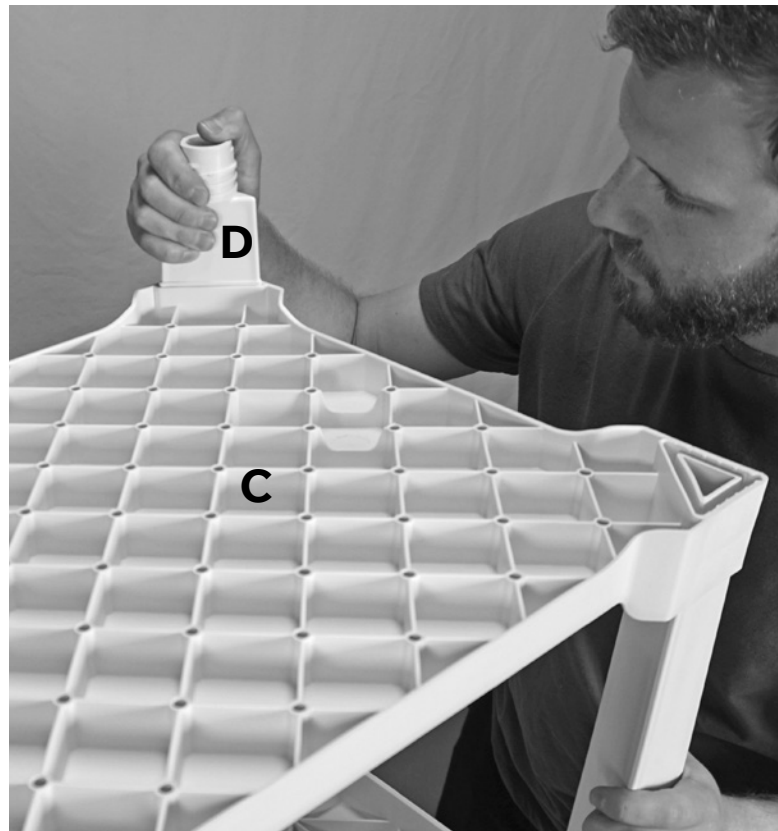
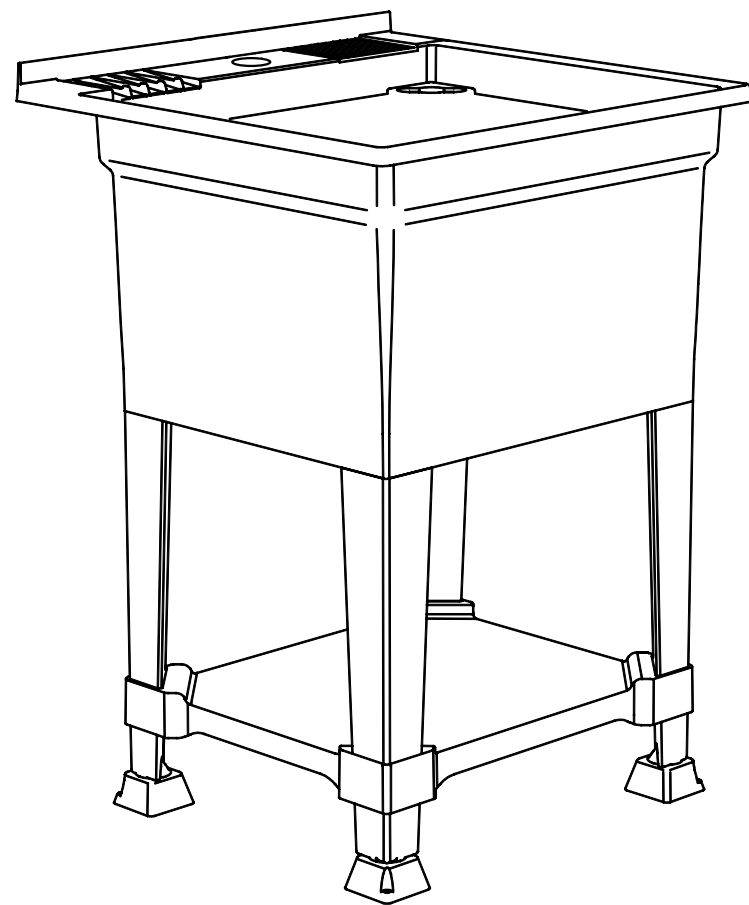
**1** Lay the sink basin (A) upside down on a sturdy table top or card table as shown. If not available, the floor will do.



**2** Insert 4 upper legs (B) into the corners of the sink basin (A). Push the upper legs until you hear, or feel, a "click".



**3** Snap the top side of the base tray (C) into the upper legs (B) until you hear, or feel, a "click".



**4** Insert the lower legs (D) into the bottom of the base tray (C). Push the lower legs into the base tray until you hear, or feel, a "click".



**5** Screw the sink feet (E) onto the lower legs (D) by hand until tight. You will be able to unscrew each foot as needed to level the sink on an uneven floor once it is in its final position.



**6** Take a minute to inspect all fittings and secure as needed. Position the sink so the drain and faucet can be connected next.

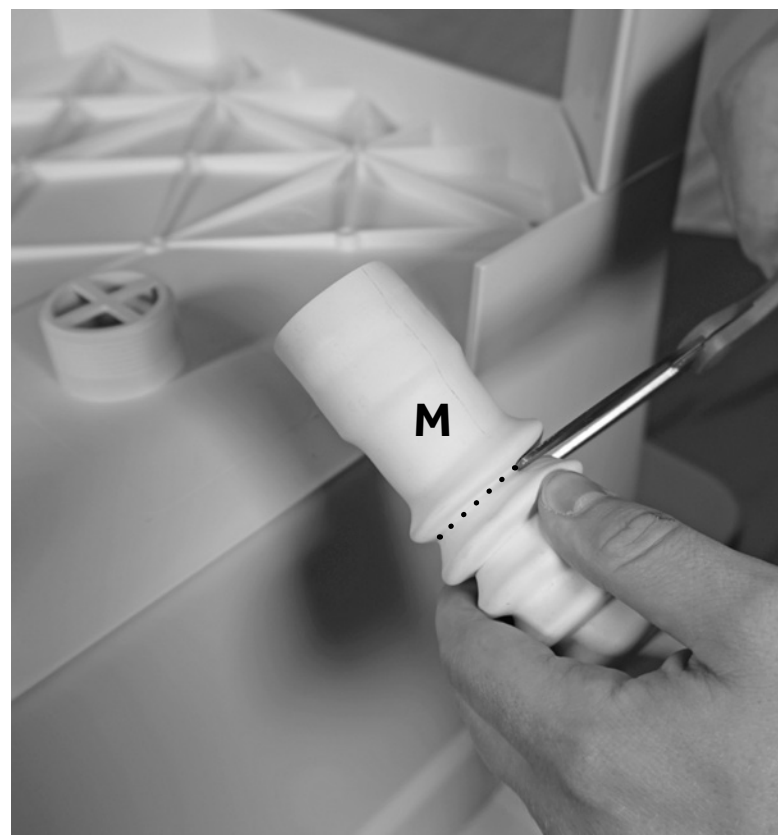
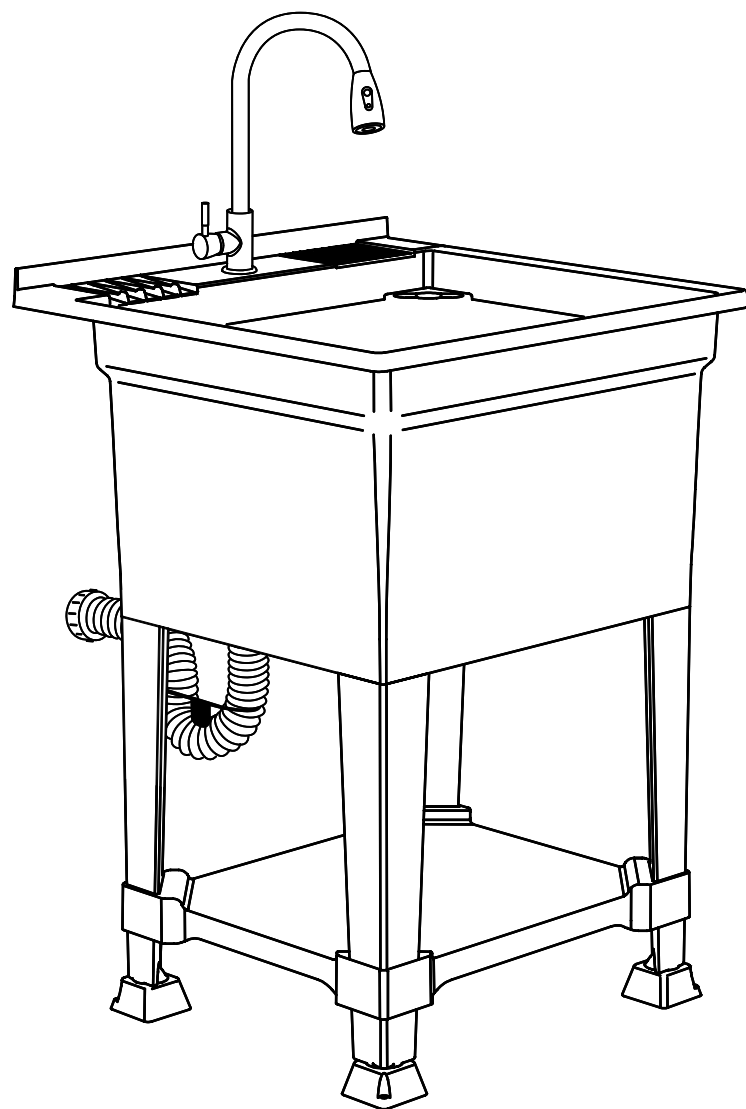
## LAUNDRY TUB FAUCET & DRAIN KIT ASSEMBLY

Now you will connect the Simple Sink® drain and faucet kit to the sink basin to make final installation easier with less bending and crouching!

### TOOLS REQUIRED:

- **Scissors:** Trim the tube in Step 7.
- **Wrench:** To tighten the faucet in Step 11.

Note: There are two additional holes marked on the underside of the sink on either side of the faucet hole. If the installer chooses to utilize a different faucet requiring two or three holes, those holes may be cut out at the marked locations.



- 7 With a pair of scissors trim the cuff off one end of the Simple Drain® tube (M). Only trim in the valley of the hose as shown by the dashed line.



- 8 Connect the threaded adaptor (O) to the trimmed tube.



- 9 Thread the Simple Drain® tube to the basin drain port.



- 10 Slide the faucet body (G) from underneath into the faucet sink hole and position the gasket (H) in place.



- 11 Slide the locknut (I) up to the gasket (H) and tighten the locknut by hand until snug and use a wrench to ensure it is fully tightened with the faucet handle (G) horizontal to the end of the tub.



- 12 Carefully grab the the entire sink assembly and flip it over. Move the Simple Sink® into position to connect your water lines and waste pipe.

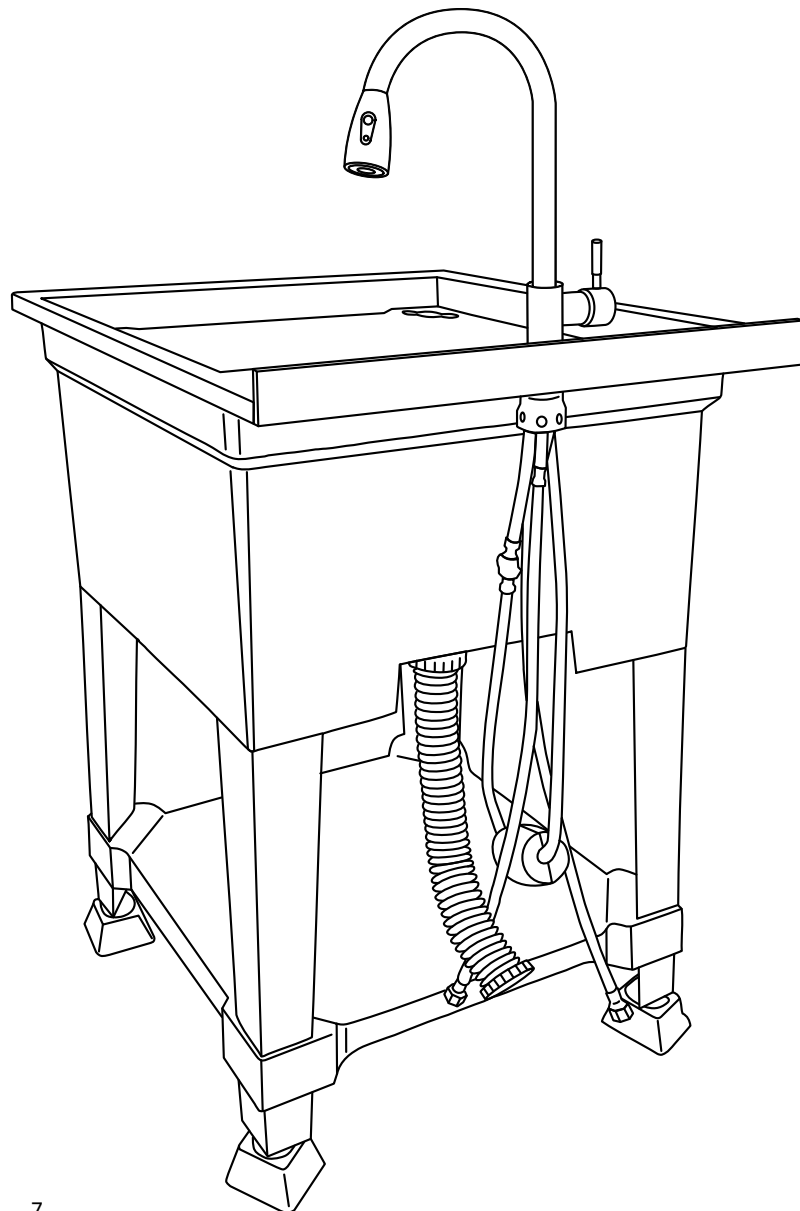
# LAUNDRY TUB

## WATER SUPPLY AND DRAIN HOOK UP

Connecting the Simple Sink® to your water lines and waste pipe.

TOOLS REQUIRED:

- **Screwdriver:** Tightening the counterweight in Step 13.
- **Scissors:** Trim the tube in Step 16.
- **Wrench:** To tighten the faucet in Step 15.



**13** Attach the counterweight (K) to the faucet line. Position the counterweight at the lowest point of the line. Adjust as need.



**14** Push together the faucet quick connect lines.

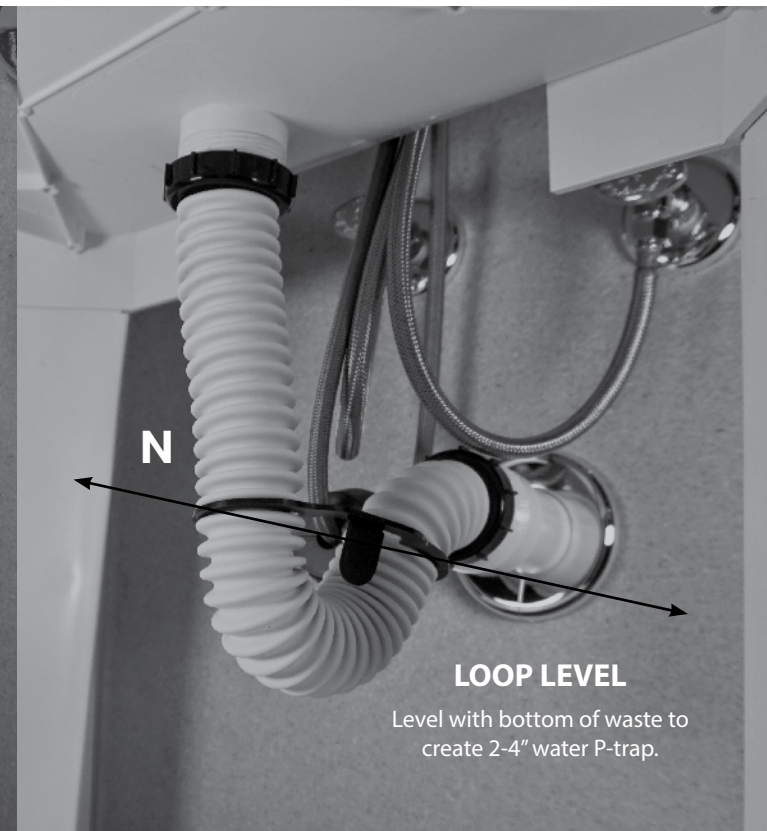


Ensure that the hot supply line (marked red) connects to the hot supply and the cold supply line (marked blue) connects to the cold supply line.

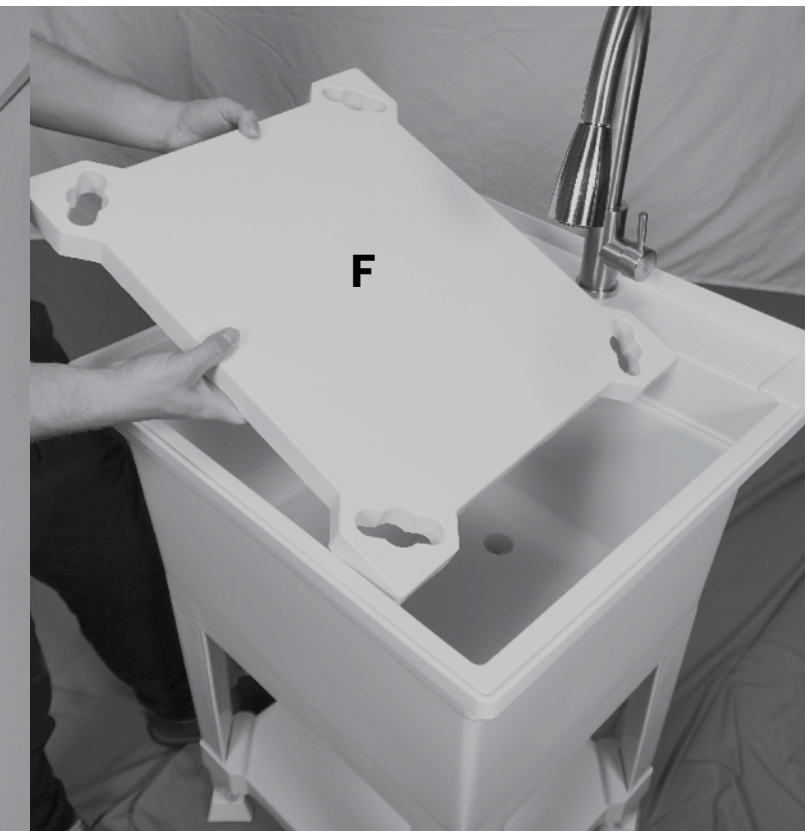
**15** Position the laundry tub in its installation location. Then connect the flexible waterlines (J) to the hot and cold supply lines.



**16** Measure the Simple Drain® tube so that it makes a trap as shown in Step 17 and cut to length. Thread Simple Drain® to the drain line by hand until snug. DO NOT use a wrench. Note: it can be installed as an S-trap as well.



**17** Connect Simple Drain® trap loop (N). See the drawing above for loop placement to ensure a proper trap.



**18** Inset the optional removable upper tray (F). Tray is designed with corner drain holes and can make washing a dog, shoes, or other items easier.

# CARE AND MAINTENANCE

This utility sink has been manufactured with the highest grade plastic and will provide many years of usage with the proper care and maintenance.

- Always rinse the sink with fresh water to dilute and remove any deposits that may have been left behind after usage.
- For regular cleaning, spray the sink with a white vinegar and water solution. Combine white vinegar

and water at a 1 to 4 ratio in a spray bottle, and use a soft-bristled brush to scrub the sink. White vinegar will also disinfect the sink.

- Do not use hard bristled brushes on the sink.
- The faucet may be polished with a microfiber cloth.

---

## WARRANTY

### LIMITED LIFETIME WARRANTY:

A thorough inspection of the Laundry Tub and Faucet ("Product") must be made prior to assembly and installation. Any damage must be reported to the manufacturer before the assembly of this product begins. The manufacturer will not be liable for damage or failures that could have been uncovered or avoided by proper inspection prior to assembly and installation.

The manufacturer warrants to the original consumer purchaser ("Purchaser") of the product that each product is free from defects in workmanship and materials upon original purchase.

If the purchaser wishes to submit any warranty claims, proof of purchase (original sales receipt) is required from the original purchaser.

This Limited Lifetime Warranty is non-transferable and will be voided if it is not installed following the manufacturer's guidelines. This warranty will be voided if the purchaser uses parts other than those provided by the manufacturer in the assembly and installation of this product. This warranty will also be voided if the product is removed from its initial installation after fully assembled.

This warranty is not applicable in the event of product damage due to installation error, product misuse or improper

care and maintenance, whether performed by a contractor, service provider or individual in the purchaser's home.

Any failure of this product that is not directly linked to a defect in material or workmanship is not covered by this warranty. Such items include, but are not limited to:

- Damages incurred during the handling or installation.
- Improper installation not in compliance with manufacturer's guidelines.
- Damage caused by failure to follow care and maintenance guidelines.
- Damage caused by normal wear and tear.

Additionally, the manufacturer will in no way be held liable for personal injury or property damage resulting from improper installation or use of this product.

### WARRANTY CLAIM PROCEDURE:

If a claimable defect occurs, please contact our customer service team: 1-866-389-8827, 8 a.m. - 8 p.m., EST, Monday - Sunday. You could also contact us at [partsplus@lowes.com](mailto:partsplus@lowes.com) or visit [www.lowespartsplus.com](http://www.lowespartsplus.com).



Questions, problems, missing parts? Before returning to your retailer, call our customer service department at 1-000-000-0000, 8 a.m. - 8 p.m., EST, Monday - Sunday. You could also contact us at [info@simplesink.com](mailto:info@simplesink.com) or visit [simplesink.com](http://simplesink.com).

